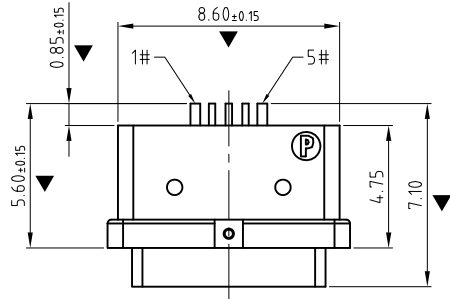
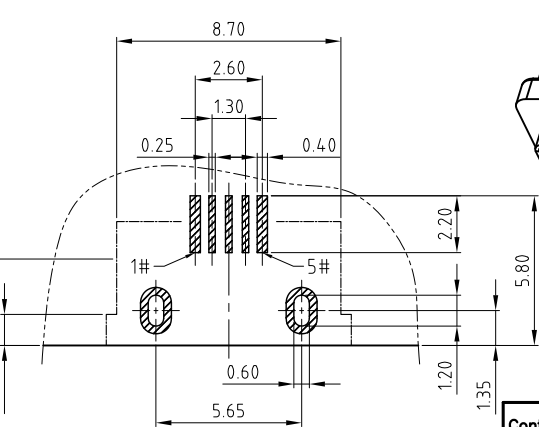
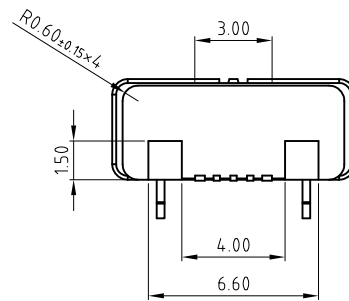
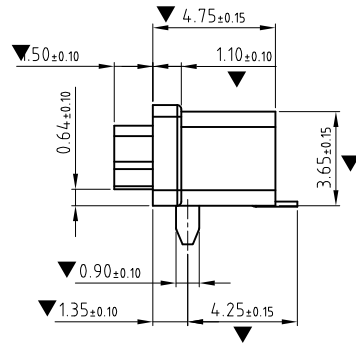
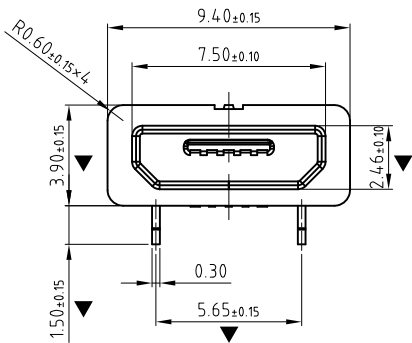
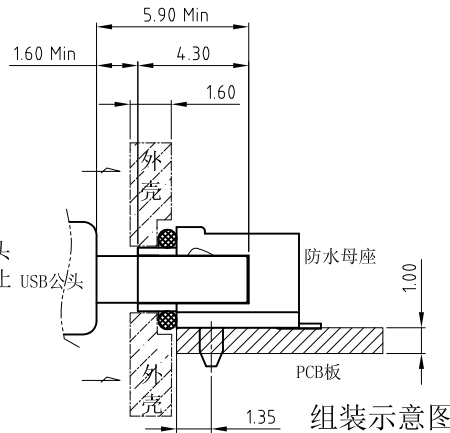


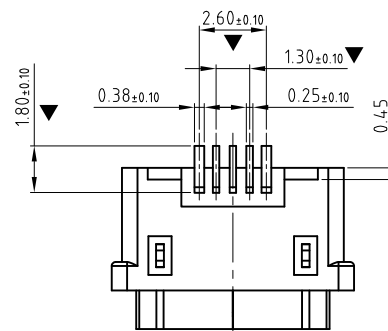
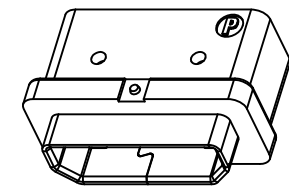
| REV. | DESCRIPTION | DATE |
|------|-------------|------------|
| A | RELEASED | 2019/04/15 |



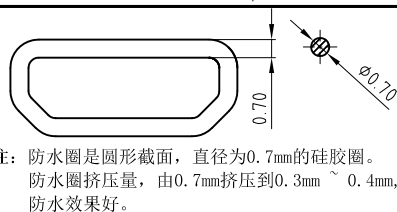
注：设计时，请注意公头插入时的距离，防止 USB 公头公头插不到底。



RECOMMEND PCB LAYOUT
TOLERANCE: ±0.05
TOP VIEW



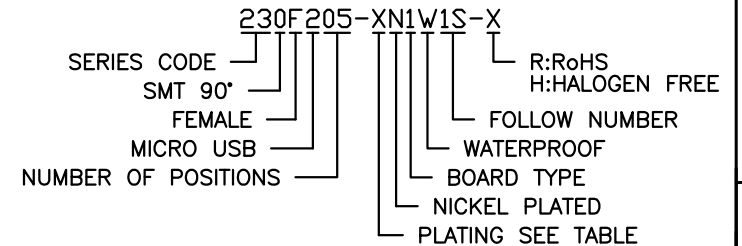
| Contact Number | Signal Name | Remarks |
|----------------|-------------|-------------------|
| 1# | VBUS | Power |
| 2# | D- | Date- |
| 3# | D+ | Date+ |
| 4# | ID | Reserve or Ground |
| 5# | GND | Ground |



SPECIFICATIONS:

- ELECTRICAL CHARACTERISTICS:
 - RATING: 3A(PIN1&5),0.5A(PIN2&3&4);
 - CONTACT RESISTANCE: 30 mΩ MAX.(INITIAL);
 - DIELECTRIC WITHSTANDING: 500V AC MIN.;
 - INSULATION RESISTANCE: 1000MΩ MIN.;
- DURABILITY: 5,000 CYCLES MIN.;
- INSERTION FORCE: 3.5Kgf (35N) Max.;
- EXTRACTION FORCE: 0.8Kgf (8N) Min.;
- WATER PROOFNESS: THIS PRODUCT IS BASED ON IPX6.
- PLUG INTERFACE DIMENSIONS COMFORM TO USB2.0 SPEC.
- PACKAGING: TAPE & REEL.

PART NUMBER INFORMATION :

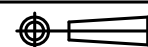


| ITEM | PART NAME | Q'TY | FINISH | NOTE |
|------|-----------|------|--|------|
| 3 | Shell | 1 | SUS304R-1/2H Ni Plating T=0.30mm | |
| 2 | Contact | 5 | Phosphor bronze C5191R-EH Au/Ni Plating T=0.20mm | |
| 1 | Housing | 1 | PA9T&LCP (G.F30%) | |

DESCRIPTION OF PLATING ON TERMINALS

| NO. | EXPLAIN | NO. | EXPLAIN |
|-----|------------|-----|-----------|
| 0 | GOLD FLASH | 3 | GOLD 15u" |
| 1 | GOLD 5u" | 4 | GOLD 20u" |
| 2 | GOLD 10u" | 6 | GOLD 30u" |

TOLERANCE
.0=±0.25
.00=±0.15
.000=±0.05
ANG.=±3°



UNITS : mm

SCALE NONE SIZE A4

DRAWER *****
CHECK

APP'D

PRODUCT SPEC.

SHEET 1 OF 1 REV. *

INMO
东莞市英墨电子有限公司
INMO Electronics Co.,Ltd
NAME
MICRO USB 5P L6.25
WATERPROOF

DRAW NO.

R230F205-XN1W1S-X